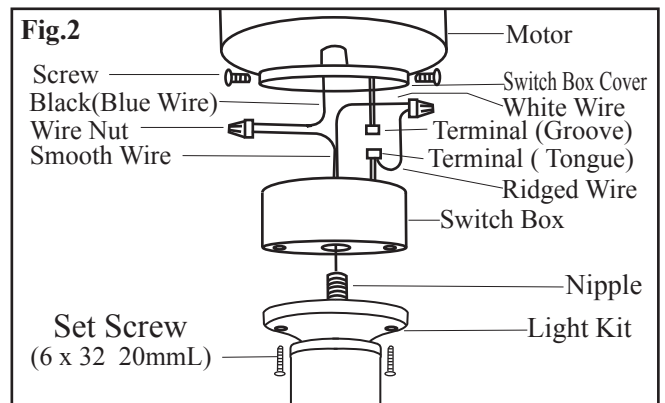
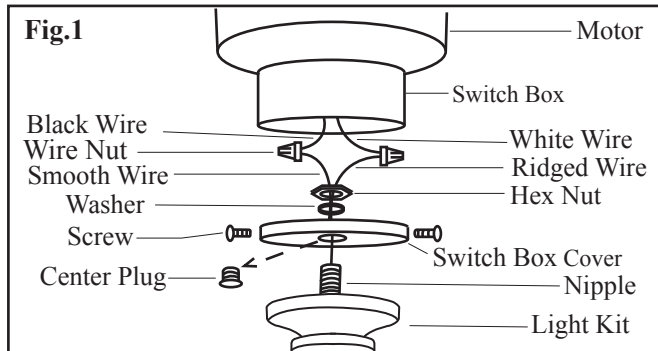


ASSEMBLY AND INSTALLATION INSTRUCTIONS

LK33053

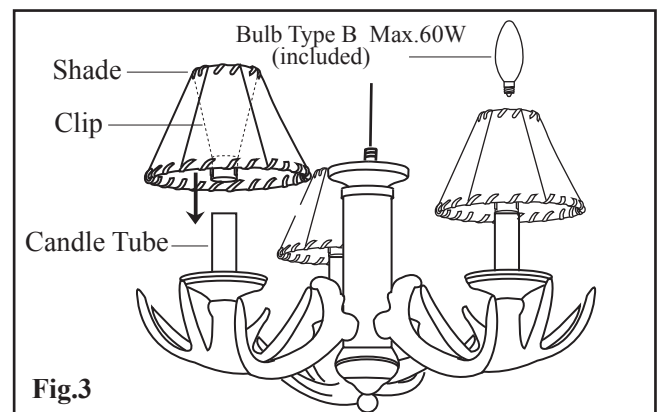
WARNING: BE SURE TO SHUT OFF POWER AT THE MAIN FUSE OR CIRCUIT BREAKER BOX BEFORE INSTALLING OR SERVICING THIS FIXTURE.

**NOTE: 1. Before installing, consult local electrical codes for wiring and grounding requirements.
2. The combined weight of your ceiling fan and light kit cannot exceed 35 pounds unless additional support is provided for the fan.**



WARNING:

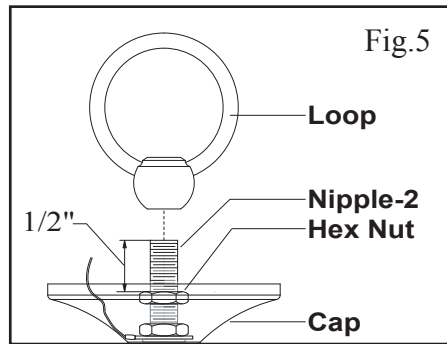
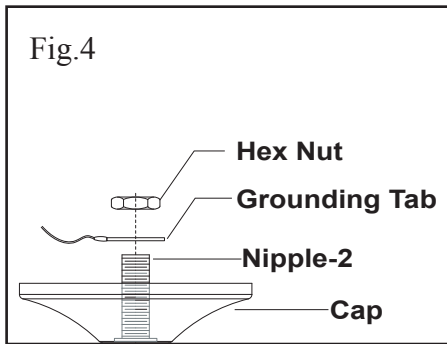
As per EPACT 2005 requirements, this fan light has a built-in current limiting device to conserve energy. The fan light will not operate if the combined wattage of the installed bulbs exceeds 190 Watts. If the fan light shuts off shortly after being switched on, it may be due to excessive current demand. Turn off power to the fan and replace the light bulbs with lower wattage bulbs. Turn on power to the fan, using the pull chain, wall switch, or remote control (whichever is installed on the particular fan).



For Light Kit:

1. Remove the switch box cover from the switch box of the fan by loosening the three screws.
2. Unscrew the center plug from the switch box cover and discard it.
3. For fan as Fig.1: Attach the nipple of the light kit to the hole of the switch box cover. Thread the wires through the washer and hex nut, then secure them tightly.
4. For fan as Fig.2: Thread the wires of the light kit through switch box, then attach the light kit to the switch box and secure it with two set screws (6x32 20mmL).
5. Pull out the outlet wires from the switch box. Make wire connections using the wire nuts:
 - The smooth (marked) wire from the light kit to the black or blue wire from the fan.
 - The ridged (unmarked) wire from the light kit to the white wire from the fan.
 - Carefully put the wires back into the switch box.
6. Restore the switch box cover back to the switch box using the three screws.
7. Attach the clips of the shades onto the candle tubes. (See Fig.3)
8. Install bulbs (included). See relamping label at socket area or packaging for maximum allowed wattage.
9. Turn on the power at the main fuse or circuit breaker box.
(You can control the lights with the pull chain.)

Installation Step For Mini Chandelier:



1. Attach the Nipple-1 to the mounting strap, and secure with a washer and a hex nut.
2. Attach the mounting strap to the ceiling box by using two mounting screws.
3. Unscrew the hex nut and washer out of nipple-2. Install the grounding wire tab (included) in nipple-2, then secure the hex nut and washer back. Thread the fixture wire through the hex nut (included) and loop, then secure the hex nut and loop. (See Fig.4 & Fig.5)
4. Choose a length of the chain that you need, and weave the fixture wire and the grounding wire through the chain links. Connect one end of the chain with the loop using a loop lock.
5. Secure the top loop to the Nipple-1.
6. Thread the fixture wire and grounding wire through the collar, canopy, top loop, Nipple-1 and mounting strap in order.
7. Connect the other end of the chain with the top loop using the other loop lock.
8. Make wire connections with wire nuts:
 - The smooth wire (marked) from fixture to black wire from power source.
 - The ridged wire (unmarked) from fixture to white wire from power source.
 - Attach the fixture grounding wire to the mounting strap with the green grounding screw. Then connect it to the house grounding wire with the wire nut.

Carefully put wires back into the ceiling box.

9. Attach the canopy to the mounting strap by inserting the top loop, and secure with the collar.
10. Attach the clip of the shade onto the candle tube.
11. Install bulbs (included). See relamping label at socket area or packaging for maximum allowed wattage.
12. Turn on the power at the main fuse or circuit breaker box.

