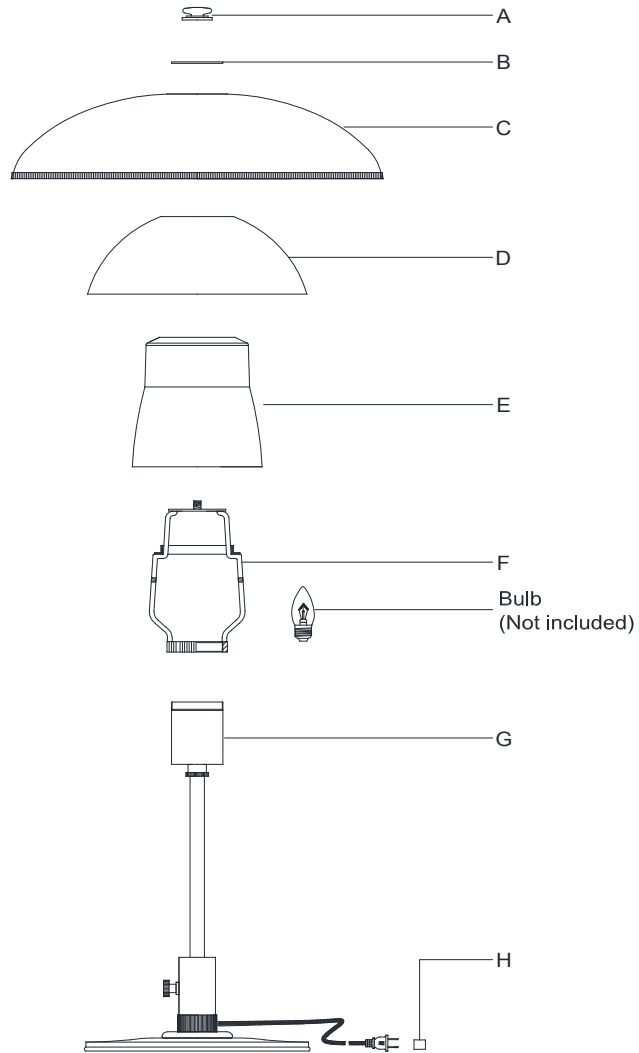


## ASSEMBLY INSTRUCTIONS



## Whitman Desk Lamp

Item # TOB 3513

**INSPECT ITEM CAREFULLY BEFORE ATTEMPTING TO INSTALL. IF THERE IS ANY DAMAGE OR OBVIOUS DEFECT. DO NOT INSTALL.**

**ITEM MAY NOT BE RETURNED ONCE IT HAS BEEN INSTALLED.**

**NOTE: CAREFULLY UNPACK EACH PIECE IN TOP LAYER OF PACKING PRIOR TO REMOVING. RETAIN ALL PACKING MATERIAL UNTIL INSPECTION AND INSTALLATION ARE FINAL.**

1. Carefully remove all parts from the box.
2. Thread the holder (F) to the socket cup (G).
3. Insert bulb (not included) into the socket.
4. Attach metal shade (E) & (D) to the holder (F).
5. Attach metal shade (C) to the top of the holder (F) and secure with metal washer (B), finial (A).
6. Remove protective plug cover (H) from the plug.
7. Plug into a proper electrical outlet and test the fixture.
8. Installation is complete.

\*\*\*Clean with a dry, soft cloth only. Use no harsh abrasives or chemical agents.



VISUAL COMFORT & Co. Est. 1987