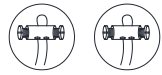
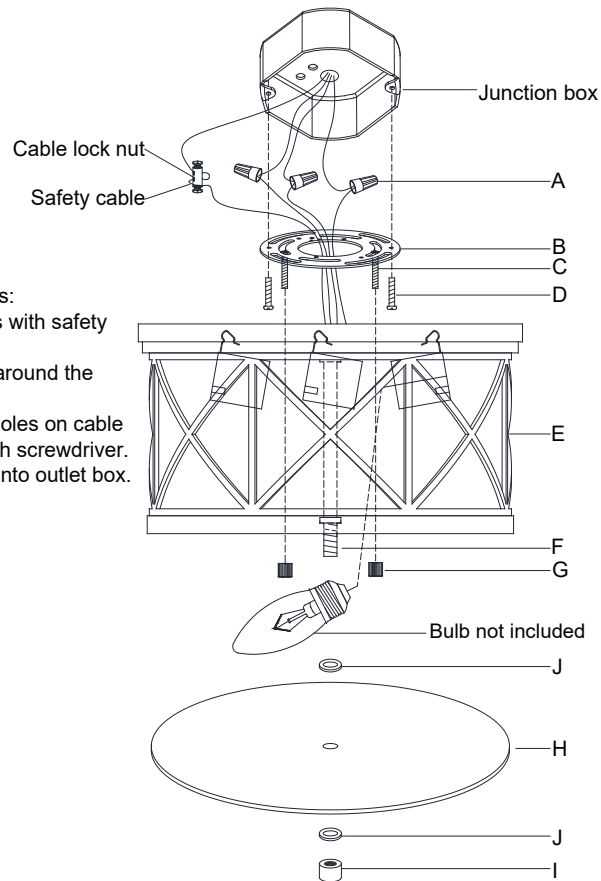


ASSEMBLY INSTRUCTIONS



TO assemble safety cables:

1. Join fixture safety cables with safety cable from ceiling.
2. Wrap both safety cable around the cable lock nut.
3. Insert screws into both holes on cable lock nut, secure screws with screwdriver.
4. Push the cable lock nut into outlet box.



Montpelier Large Flush Mount

Item # SK 4011

WE RECOMMEND INSTALLATION OF THIS LIGHTING FIXTURE BE DONE BY A LICENSED ELECTRICIAN.

WARNING*SWITCH OFF THE MAIN ELECTRICAL SUPPLY FROM THE MAIN FUSE BOX/CIRCUIT BREAKER BEFORE INSTALLATION.**

INSPECT ITEM CAREFULLY BEFORE ATTEMPTING TO INSTALL. IF THERE IS ANY DAMAGE OR OBVIOUS DEFECT. DO NOT INSTALL.

ITEM MAY NOT BE RETURNED ONCE IT HAS BEEN INSTALLED.

NOTE: CAREFULLY UNPACK EACH PIECE IN TOP LAYER OF PACKING PRIOR TO REMOVING. RETAIN ALL PACKING MATERIAL UNTIL INSPECTION AND INSTALLATION ARE FINAL.

1. Carefully remove all parts from the box.
2. Remove the mounting plate (B) from the fixture body (E) by loosening the knurled nuts (G).
3. Install the mounting plate (B) to the junction box and secure with the mounting screws (D).
4. Connect the safety cables as shown in figure.
5. Wrap the fixture ground wire to the green ground screw on the mounting plate (B) and secure, then connect to the ground wire in the junction box using the wire nut (A).
IT IS IMPERATIVE THAT THIS FIXTURE BE GROUNDED.
6. Connect the fixture white wire to the neutral wire in the junction box using the wire nut (A).
7. Connect the fixture black wire to the hot wire in the junction box using the wire nut (A).
DO NOT REVERSE THE HOT AND NEUTRAL CONNECTIONS OTHERWISE SAFETY WILL BE COMPROMISED.
8. Install the fixture body (E) to the mounting plate (B) and secure with the knurled nuts (G).
9. Insert bulbs (not included) into the sockets.
10. Attach the rubber washers (J) to either side of the glass diffuser (H) and secure to the nipple (F) with the finial (I).
11. Installation is complete, turn on power at fuse or circuit breaker.

***Clean with a dry, soft cloth only. Use no harsh abrasives or chemical agents.