

SAFETY INFORMATION

Please read and understand this entire manual before attempting to assemble, install or operate the product.

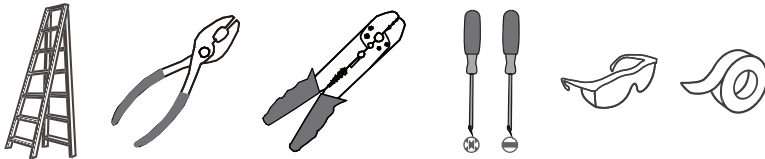
WARNING

- RISK OF ELECTRIC SHOCK - Before beginning installation, turn off electricity at the circuit breaker box or the main fuse box.

CAUTION

- For your safety, read instructions completely before beginning installation.
- If in doubt about electrical installation, consult a licensed electrician.
- **DO NOT** use the light on a timer, wall switch with dimming functions, or with an extension cord.
- **DO NOT** install this light fixture if it shares the circuit with another junction box (light fixture) and both are controlled by a single 3-way light switch.
- Refer to Page 3 for **SMRTLite APP** usage.

TOOLS REQUIRED



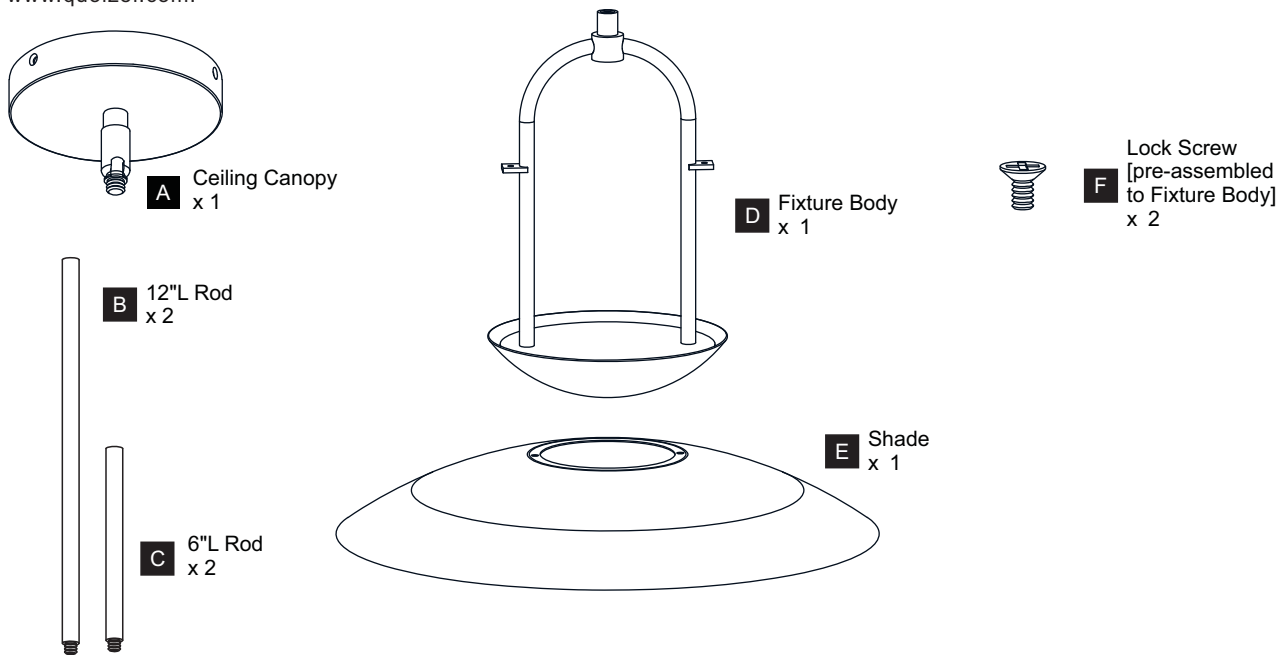
Ratings	120Vac, 60Hz	
	Model No.	Wattage
	BIN2818MBK	14W
	BIN2818BRG	14W
	BIN1718MBK	14W
	BIN1718BRG	14W

CARE AND MAINTENANCE

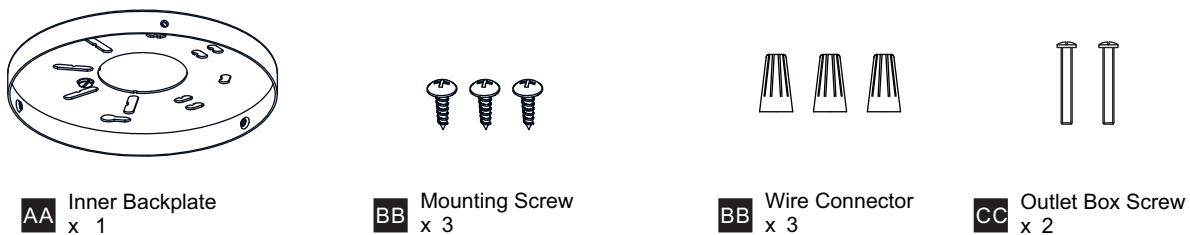
- Wipe clean using soft, dry cloth or static duster. Always avoid using harsh chemicals and abrasives to clean fixture as they may damage the finish.

PACKAGE CONTENTS

Additional accessories may be purchased. For more information, call Quozel Customer Care at 1-800-645-3184 (9:00am - 5:00pm EST), or visit us on-line at www.quozel.com.

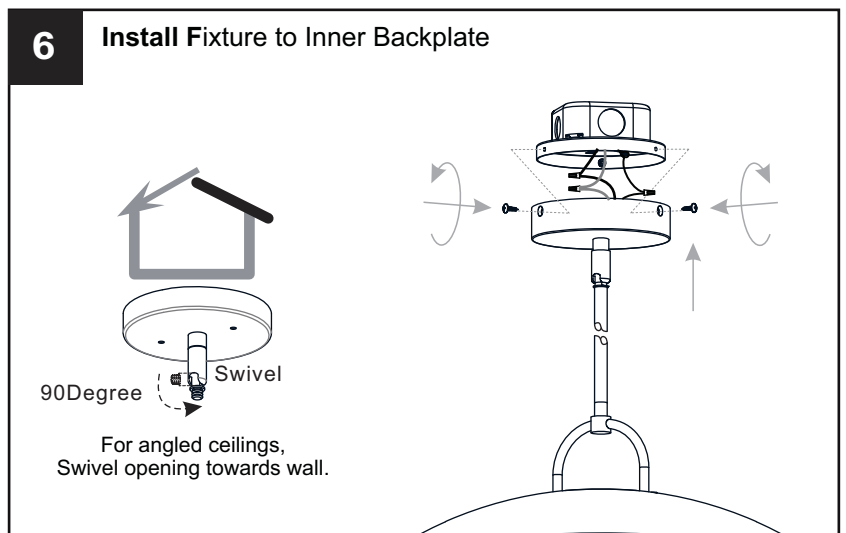
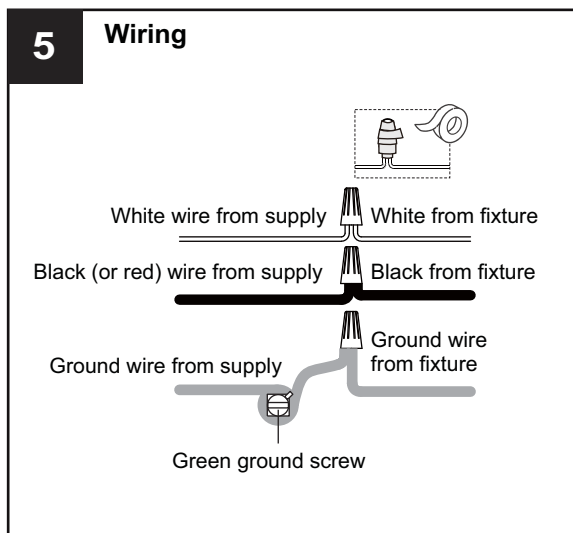
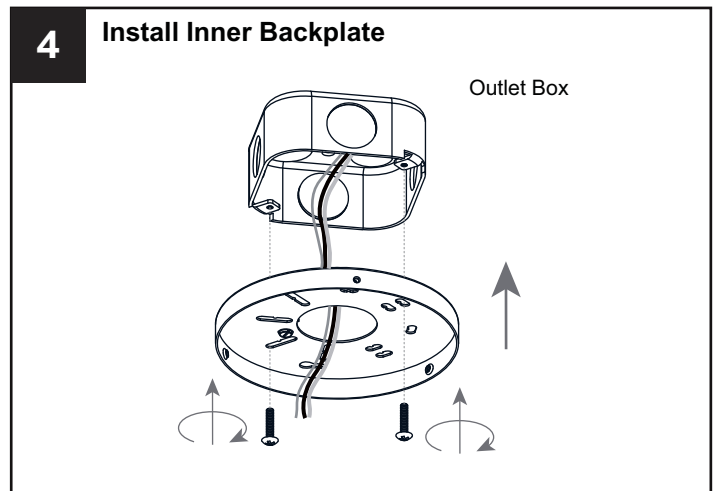
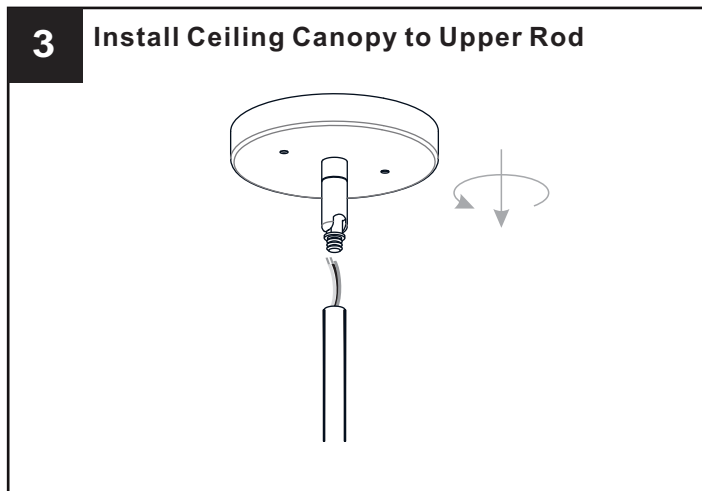
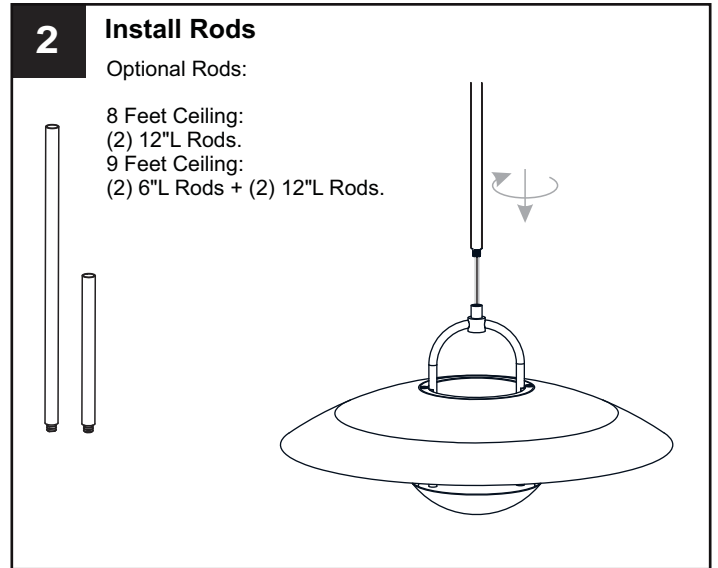
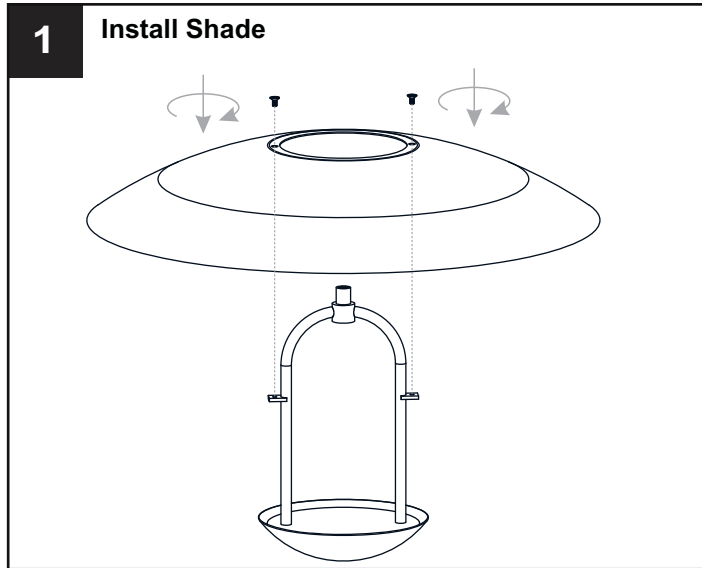


MOUNTING HARDWARE



INSTALLATION

OPTION 1: PENDANT - BIN2818MBK AND BIN2818BRG



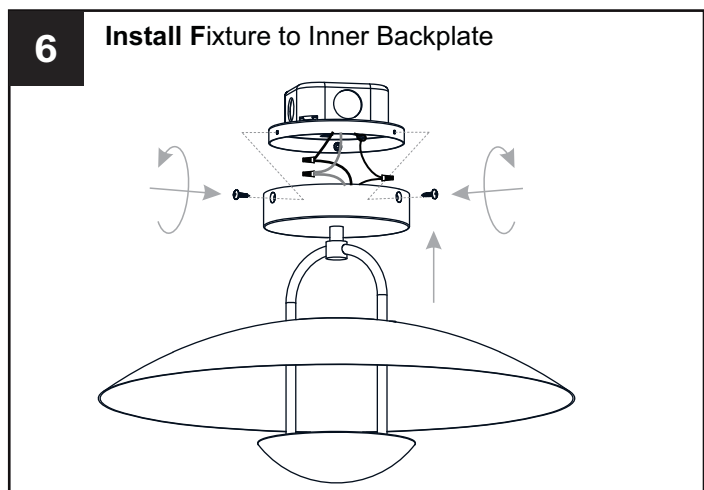
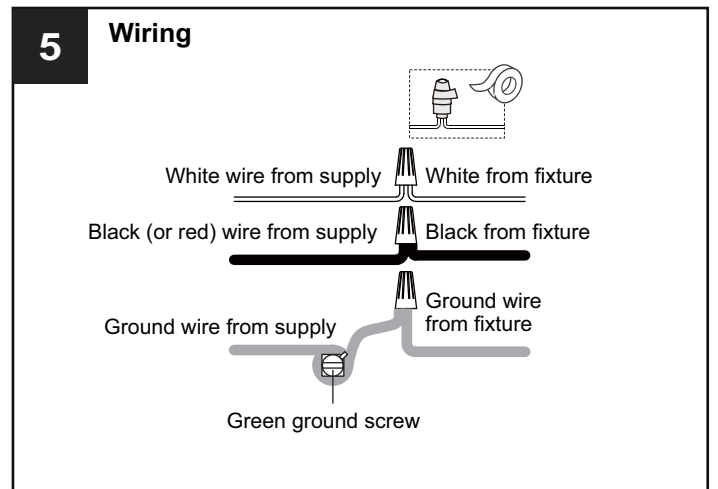
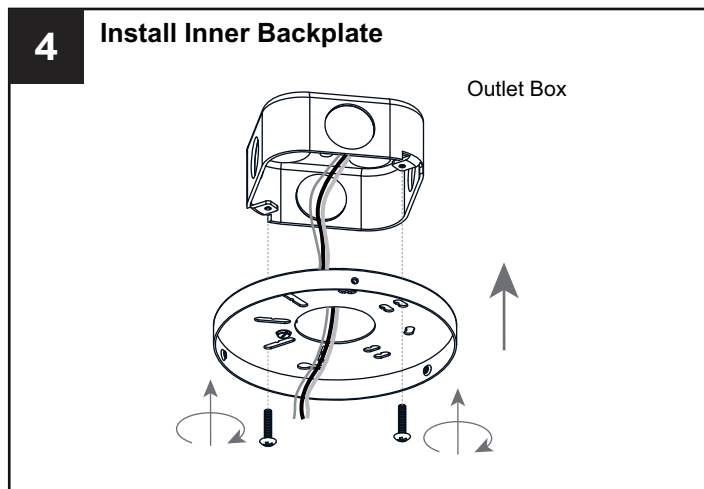
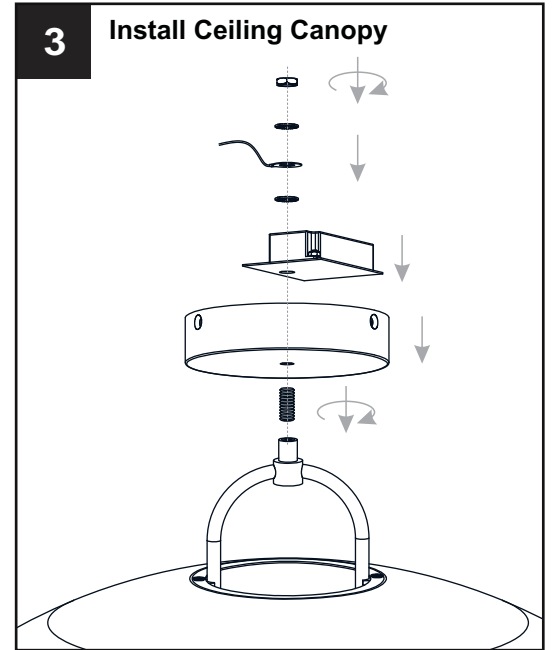
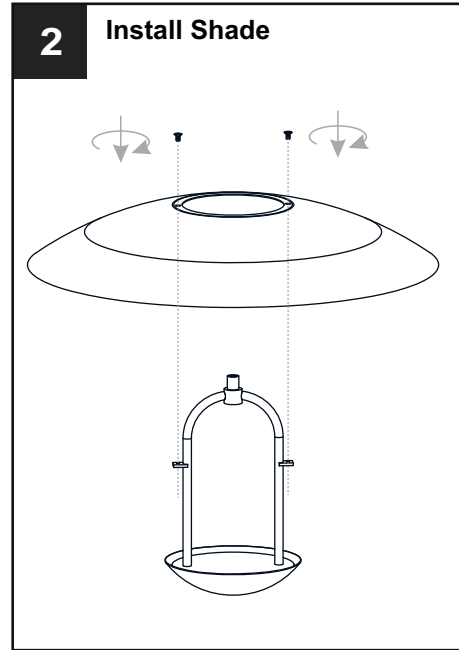
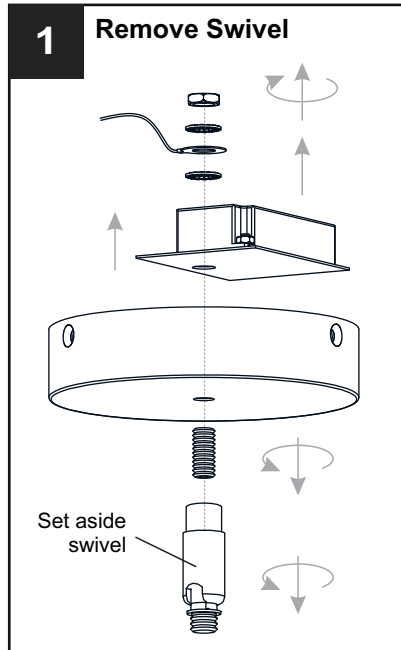
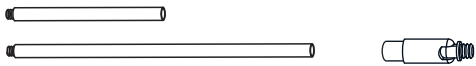
Your installation is now complete! Restore electricity and save this sheet for future reference.

INSTALLATION

IMPORTANT: This CONVERTIBLE fixture can be mounted as pendant light or semi-flush light. **DO NOT CUT SUPPLY WIRES** if you intend to use it as pendant light.

OPTION 2: SEMI-FLUSH - BIN1718MBK, BIN1718BRG

* Set aside (2) 6"L Rods and (2) 12"L Rods since they are not required for the semi-flush installation.



Your installation is now complete!
Restore electricity and save this sheet
for future reference.