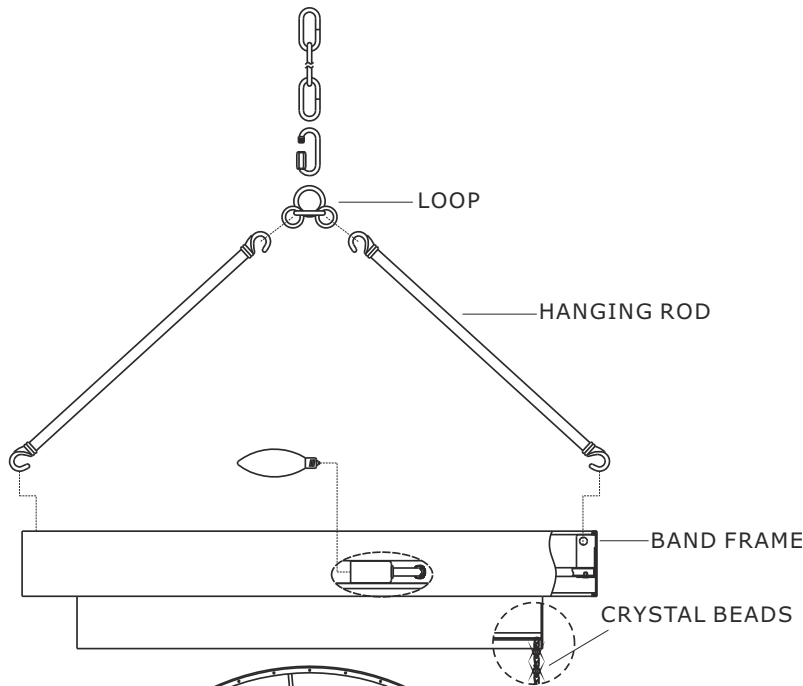


# CRYSTORAMA

LIGHTING THE WAY FOR SIXTY YEARS

ASSEMBLY INSTRUCTION MODEL#CLA-A3206-PN-CL-MWP



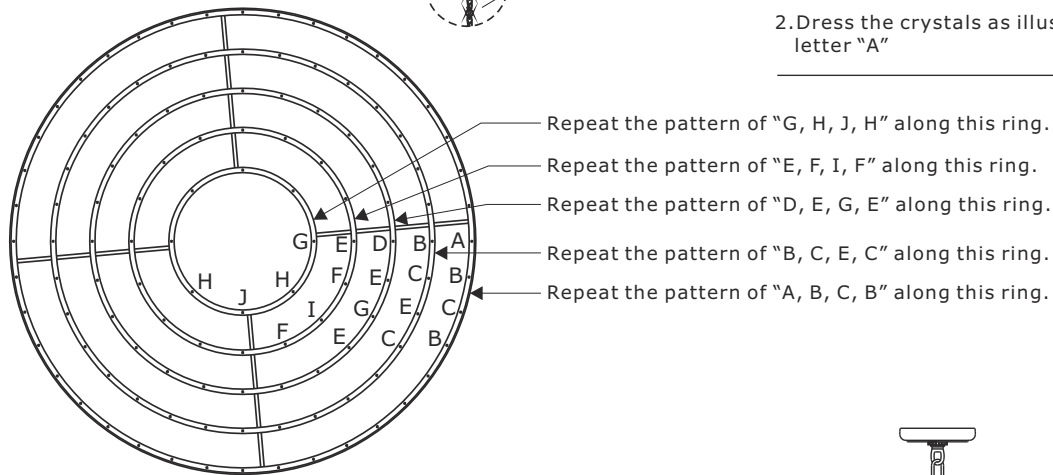
All electrical components must be installed by a licensed electrician in accordance with the National Electric Code and the appropriate local electrical codes.



You will need 6- Candelabra Base Bulb  
40 Watts Recommended 60 Watts Max.  
USE LED BULBS FOR EXTENDED USE

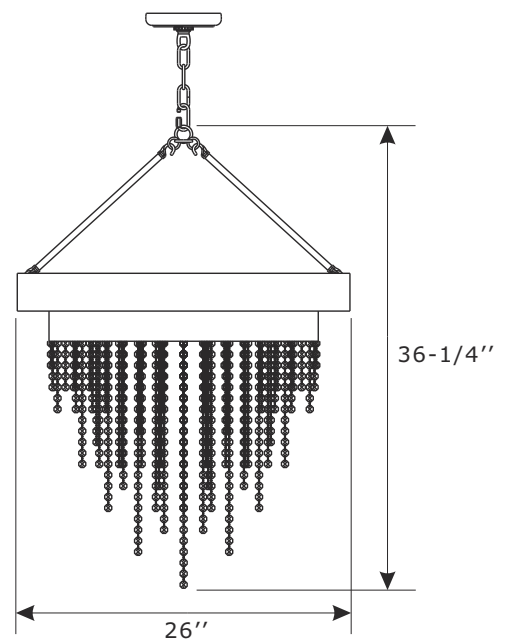
## How to install

1. Connect one end of hanging rod to the band frame, the second end of it to the loop.
2. Dress the crystals as illustrated, starting with letter "A"



## Crystal Sets:

- A= (14mmx3pcs)x10sets
- B= (14mmx5pcs)x28sets
- C= (14mmx7pcs)x26sets
- D= (14mmx10pcs)x6sets
- E= (14mmx12pcs)x24sets
- F= (14mmx14pcs)x8sets
- G= (14mmx16pcs)x8sets
- H= (14mmx18pcs)x4sets
- I= (14mmx20pcs)x4sets
- J= (14mmx23pcs)x2sets



**WARNING:** This product can expose you to Lead which is known to the state of California to cause cancer and/or birth defects or reproductive harm. For more information go to [www.P65Warnings.ca.gov](http://www.P65Warnings.ca.gov)

# CRYSTORAMA

LIGHTING THE WAY FOR SIXTY YEARS

PART NUMBER MODEL#CLA-A3206-PN-CL-MWP

## Part Number

### Part Numbers

- A. (1)-Mounting hardware
- B. (1)-Canopy W5-7/8"xH1-1/8" #XRF3205PNCAN5.875IN
- C. (1)-Collar Loop
- D. (1)-Collar ring
- E. (1)-Chain -L72", 5mm thick #XRF3205PNCHA5MM
- F. (1)-Quick link
- G. (1)-Loop
- H. (3)-Hanging rod W1/2"xL13" #XRF3206PNHROD13IN
- I. (1)-Band frame
- J. (6)-Socket

